

### Electrical Data

Power requirements (Option 1)	12V DC / 2A
Back up	4 Alkaline 1.5V, D size, LR20
Battery life	1 year
Power requirements (Option 2)	4 SAFT LSH 20 Batteries
Battery life	4 years
RF technology	S <sup>2</sup> View®
Radio type	Spread Spectrum Bidirectional RF
Operating frequency	868/915/920 MHz
Transmission security	AES algorithm encryption
Radio jam detection	Yes
Supervision	Yes
Antenna	Embedded or External
Tamper detection	Wall and cover tamper detection
Programmable Wired Inputs	3
Programmable Wired Outputs	2
Arming Wired Inputs	2
Dry contact option	Yes
Inputs voltage	2VDC (15V max)
Inputs current	3 mA max
Programmable Wired Inputs	3
Dry contact	Yes
Inputs voltage	12VDC (15V max)

Programming	Alphanumeric Keypads or Frontel remote control Software
Devices per system	25 per system
Access codes	20 maximum
Installer codes	One (for system programming only)
Security levels	3
Arming modes :	2
Special arming modes	4 (Area 1 predefined from factory for entry/exit delay. Areas 2, 3, & 4 programmable.)
Communication formats	GPRS
Protocols	Frontel
Installer codes	One (for system programming only)
Security levels	3
Arming modes :	2
Special arming modes	4 (Area 1 predefined from factory for entry/exit delay. Areas 2, 3, & 4 programmable.)

### Electrical Data

Protocols	Frontel
Communication formats	IP
Communicator type	GPRS and GSM cell
IP stack	IP, TCP/IP
Remote maintenance	Frontel Downloader protocol only
Video transmission	By Frontel protocol to central monitoring station
Video format	MPEG video file
Video file size	220 Kbytes
Video framing	5 frames/second
Image format	JPEG
Image size	320 x 240 pixels
History/Event Log	4,000 events stored in flash memory
Operating temperature	0°/+40°C (32°/104°F)
Maximum relative humidity	70%, non-condensing
Approvals pending	CE / EN50131 / EN300220 / IDA / NCP (Europe) CP-01 / UL / FCC (USA) A-Tick (Australia)

### Physical Data

Material	ABS—ULV0
Dimensions	225 mm x 180 mm x 55mm (LxWxD):9in. x 7in. x 2-1/6in.
Weight	520gr (without batteries) / 1600gr (with batteries)

### Installation/Mounting

Control Panel/Base	Two screw secures control panel cover to base; Three screws secure control panel base to the wall
External antennas	2 built-in MMCX connectors to extend the GPRS and RF range

### AUSTRALASIAN SALES - HEAD OFFICE

1/11 Exeter Way  
Caloundra  
QUEENSLAND, Australia

Hot line : 1300 46 44 55 Or +61(0) 7 5341 8843  
Fax : +61 (0) 7 5341 8843  
www.videofied.com.au  
email : support@videofied.com.au

[www.videofied.com.au](http://www.videofied.com.au)

### Description

The XT710 control panel is a Videofied wireless, battery operated hybrid alarm system. It is designed for residential and small business security applications, as well as both indoor and outdoor commercial applications (construction sites, cell tower, remote sites, substations...).

XT710 can be used as a standalone alarm system or can be integrated into an existing alarms system as an upgrade to Videofied features and technology.

XT710 has programmable inputs. Programmable inputs and certain event types can be configured to capture video from a MotionViewer device using the mapping feature.

The control panel has two easy to access external connectors for upgrading GPRS and RF antenna connections.

### Supervised Wireless Technology

The XT710GPRS, along with all Videofied devices utilize patented S2View® - Spread Spectrum, Videofied, Interactive, AES Encrypted Wireless technology, providing optimum signal integrity and security. Bi-directional RF communication paths between all system devices and the system control panel assure high signal reliability. Integrated antennas eliminate protruding wires or rods cumbersome to install and unsightly to consumers, and if damaged could lead to potential system communication problems.

The panel supervises every device (excluding the remote keyfob) to validate current open/close state, tamper condition, serial number, date of manufacture, firmware revision, and battery status.



# Videofied Devices

**Compatibility** The XT700i GPRS, XL700 GPRS, V7000 GPRS, V7000P GPRS panels works with all the following Videofied wireless devices:



**DCV701 Indoor MotionViewer** - integrated PIR motion detector, night vision digital camera, infrared illuminators. MotionViewers detect intruders and capture a 10 second video of the intrusion which is sent to the panel over RF.



**BR751 Outdoor Badge Reader with Prox-Tag** - Allowing Arming/disarming of the system from outside the premises. The Prox-Tags are standard Mifare badges.



**CT701 Door Contacts** - detect door and window open/close activity. An external input allows a wired connection from standard security switches and detection devices outputs.



**DCV751 Outdoor MotionViewer** - integrated PIR motion detector, night vision digital camera, infrared illuminators. MotionViewers detect intruders and capture a 10 second video of the intrusion which is sent to the panel over RF.



**Interior Sirens** - provide status beeps and alarm sounds throughout the premises where needed.



**SE751 Exterior Sirens/Strobes** - provide alarm sounds and visual identification of alarm site for responding authorities.



**RC701 Remote Keyfobs** - allow limited system operation and panic alarm capability in a portable, convenient package.

## Features

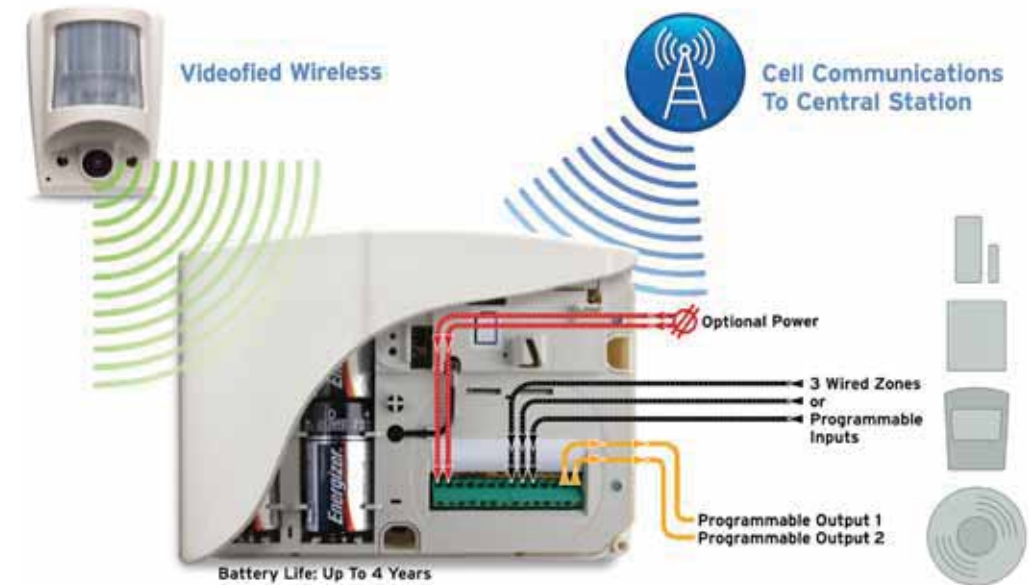
- >Video Verification - video resolution of 320 x 240 pixels, 0 lux sensitivity, 5-frames per second for approx. 10 seconds total recording time. 220K MPEG file.
- >Up to 25 Wireless zones/devices
- >Mapping feature to trigger a video upon activation of an event or third party devices
  - >Panic - Hold Up Alarm Video verification
  - >Smoke Alarm Video verification
- >3 programmable inputs for GPRS -back-up

- >2 dedicated on-board connectors to extend the GPRS coverage and the radio coverage
- >4 Areas with 2 special arming mode and partitions
- >20 user codes or Badges
- >On site configuration/Programming with the Keypad
- >4.000 Events history log
- >Multiple power option, 12VDC with Alkaline batteries for back-up to 1 year or Lithium Batteries only for up to 4 years
- >Built-in GPRS transmitter to report to your Monitoring Station via the Frontel protocol

## Stand-Alone Mode

In this Mode, the XT700i control panel works as standard hybrid alarm system with 25 wireless Videofied devices, 3 programmable inputs and 2 programmable outputs.

It is a full stand-alone alarm system.



## XTender Mode

In this Mode, the XT control panel works as an extension of your existing alarm system. It will enhance it to Videofied for video verification and can also work as a GPRS back-up.

